

1. Never pull on the adapter's cords. Always hold the plug when inserting or removing it.
2. Select the correct tip for your notebook by reviewing the attached tip Compatibility Guide—using the wrong tip may damage your computer or cause it to malfunction.
3. Unplug EverywherePower 7500 Series from the power outlet each time you attach a new “tip” to the cable.
4. Keep the adapter away from heat sources (such as electric heaters) and avoid direct exposure to sunlight.
5. For indoor use only keep the adapter free of dust and moisture, and avoid exposure to corrosive chemicals (such as cleaning fluids).
6. Do not drop the adapter or subject it to undue shock.
7. Do not place anything on top of the adapter.
8. Turn off the computer's power and unplug the adapter if you smell something burning or the adapter becomes overly hot.
9. Do not attempt to disassemble the adapter; it has no user-serviceable or replaceable parts inside. Voltage in the adapter can cause injury if the adapter malfunctions, immediately discontinue use, and contact iGo technical support.
10. Always use the appropriate cables and connectors supplied with your adapter as shown in this user's guide. Use of cables, connectors or other accessories not supplied with your product may result in injury or damage to your device.

Before installing, please read this important safety information. Proper care of your adapter will ensure its optimal performance.

Auto, Boat or RV: Your vehicle may need to be running in order to get power. If after checking the connections the LED is still not illuminated, you may need to check the vehicle's cigarette lighter fuse. Please refer to your vehicle manual for instructions on how to check the fuse box. Ultimately, you may need to replace the cigarette lighter's fuse. **Note:** In some vehicles, power to the cigarette lighter is always on. These vehicles may not require the ignition to be turned on. **CAUTION** – It is not recommended to have this iGo adapter connected to your electronic device when starting the engine. The power may be interrupted causing your system to reset. **Air:** You will need to find the in-flight power outlet in the airplane. The power outlet is usually located in the arm of your seat, typically near the same location you use to plug in headphones. It may also be located under your seat. Please ask a flight attendant for the exact location of the outlet. Once located, plug the in-flight connector into the airline power outlet.

How to Use This iGo Combination Power Adapter

Standard Wall Outlet: As in your car or on the plane, once connected, your battery will automatically charge regardless of whether your electronic device is turned on or off. **Note:** We recommend that you use iGo power adapters only with device batteries that meet or exceed the original manufacturer's specifications. **CAUTION:** Like the power adapter that came with your electronic device, this iGo adapter may get warm to the touch during use. This is normal. Avoid plugging your iGo adapter in direct sunlight or next to heat sensitive materials.

Product Registration

Thank you for purchasing one of iGo's mobile solutions. Help us serve you better by taking a moment to register your product at www.igo.com/registration. Just by registering, you're eligible for benefits including 90 days of free tech support, automatic notification of product updates, and other special promotions.

Warranty

2-year product limited warranty.
Visit <http://igo.com/help/Warranty.asp> for complete details.

Package Contents

iGo notebook power adapter

Wall outlet cord (AC)

Auto/air outlet cord (DC)

Notebook input cord

iGo DualPower accessory

Nylon carrying case

Power tips

(See attached guide for corresponding models and tips)

User's guide

Compatibility guide

DualPower guide



Mobility Electronics Inc.

17800 North Perimeter Drive, Ste. 200, Scottsdale, AZ 85255 USA
Tel: 1-480-596-0061, 1-800-588-4593; Fax: 1-480-596-0349



www.igo.com

FCC Compliance

This equipment has been tested and found to comply with the limits for a Class B digital device, pursuant to Part 15 of the FCC Rules. These limits are designed to provide reasonable protection against harmful interference in a residential

installation. This equipment generates, uses and can radiate radio frequency energy and, if not installed and used in accordance with the instructions, may cause harmful interference to radio communications. However, there is no guarantee that interference will not occur in a particular installation. If this equipment does cause harmful interference to radio or television reception, which can be determined by turning the equipment off and on, the user is encouraged to try to correct the interference by one or more of the following measures:

- Reorient or relocate the receiving antenna
- Increase the separation between the equipment and receiver
- Connect the equipment into an outlet on a circuit different from that to which the receiver is connected
- Consult the dealer or an experienced radio/TV technician for help

Issue	Probable Cause(s)	Possible Solution(s)
Laptop is not charging	Tip was removed without unplugging unit	Unplug from outlet, wait 30 seconds and plug unit back into outlet
Laptop is not charging	No input or output power	Check plug connector Check cable connections Check outlet circuit breaker
Blue LED does not light	No electricity to unit	See above solutions
Blue LED does not light but unit appears to power devices	Light burned out	Contact iGo customer service (see contact information on the back of this guide)
Laptop not listed on enclosed compatibility chart	Compatibility is always changing	See www.igo.com for current compatibility information
Device is not charging when DualPower is configured	Tip not installed on Notebook Input Cord	Install tip on Notebook Input Cord

Specifications

AC input:	100-230 VAC; 50/60 Hz; 3A
DC input:	11.75-30 VDC; 10A MAX
DC output to notebook:	Up to 90 Watts continuous
Unit dimensions:	6.07"L x 2.54"W x 1.30"H
Unit weight:	13 oz
Cord lengths:	AC input-30' DC input-30'; DC output-6.0'

Safety Features

- Over voltage protection
- Current limit
- Over temperature protection
- Short circuit protection

Tech Support

We are committed to providing our customers with first-class customer service and technical support.

You can receive help in a variety of ways:

Phone: 1-800-474-7593

Email: Techsupport@igo.com

GoCustomerSupport@psweb.com

Web: <http://www.igo.com/help/techsupport.asp>

Support hours: Mon. – Fri., 10 am – 7 pm EST

©2002-2004 Mobility Electronics, Inc. Mobility Electronics is a registered trademark and iGo is a trademark of Mobility Electronics, Inc. All other brand names and logos are trademarks or registered trademarks of their respective owners. Specifications are subject to change without notice. Protected under Patents 5,347,211, 6,643,158, 6,650,560 and 6,064,177 and when used with a dual charging device, protected by 6,700,808. Other United States and Foreign Patents pending. Made in China. P/N 8040099 Rev 03

Get appareil numérisé de la classe B est conforme à la norme NMB-003 du Canada

This Class B digital apparatus complies with Canadian ICES-003.

Canada Compliance

- Reorient or relocate the receiving antenna
- Increase the separation between the equipment and receiver
- Connect the equipment into an outlet on a circuit different from that to which the receiver is connected
- Consult the dealer or an experienced radio/TV technician for help

Certifications



Ambient operating temperature is 0°C to 35°C
Storage temperature is -40°C to 85°C

Environmental Requirements

Patented itips Technology

The beauty of iGo's power products is that they deliver the precise amount of power to each device through the use of interchangeable itips technology. This way, you don't have to worry about selecting the correct amount of power output as you do with other products—we do it for you! The attached Compatibility Guide will help you to determine which tips are needed for your various devices. Simply attach the correct tip and you're ready to get energized. If your tip isn't included in this package, visit www.igo.com to locate additional tips for purchase.

WARNING – Using the wrong tip may damage your device or cause it to malfunction.

Mobile Phones, Handhelds/PDAs, MP3 Players, Digital Cameras...

So, you'd like to power and charge an additional portable electronic device. Great, iGo EverywherePower does that too. All you need is the included iGo DualPower accessory to simultaneously power/charge 2 electronic devices.

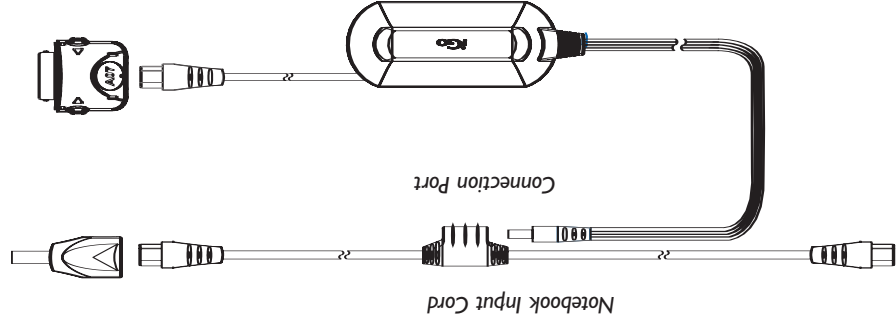


Quick Connect Guide

1. Connect the **correct** tip to the unit's Notebook Input Cord.

Attention!

Unplug EverywherePower 7500 Series from the power outlet each time you attach a new "tip" to the cable.



Notebook Input Cord

Connection Port

Simultaneously power/charge a notebook computer and a portable electronic device by using the included DualPower accessory

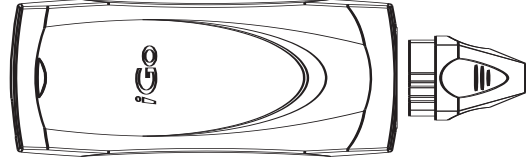
Simply insert the accessory into the Connection Port on the Notebook Input Cord and select the appropriate tip.

Tech note:

When using DualPower with this iGo adapter, the maximum power output of 90 Watts is shared between both devices being charged.

If a device attached to DualPower is not charging properly, it may need more charging power than can be delivered at that particular time. When this happens, the LED on the adapter will start pulsing and we recommend charging each device separately.

2. Insert the Notebook Input Cord into **EverywherePower** body.

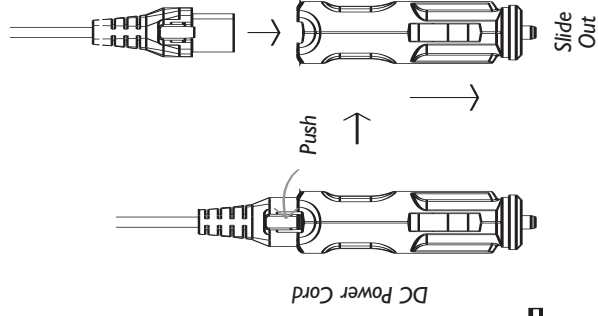


3. Select appropriate power input cord and insert into **EverywherePower** body.

AC Power Cord

4. Plug into the appropriate socket. The LED on the adapter will now illuminate, indicating that power is available. If the LED is not lit, be sure to check all connections. Check *Trouble Shooting* for additional information.

5. Plug into the notebook.



Air: Remove the auto connector to uncover the connector for use with the EMPOWER® outlet as shown.

Note: Although most airlines use the EMPOWER® outlet, some airlines may use the standard auto socket. In this case it is unnecessary to remove the auto connector.

Wall outlet: Use as shown.



Auto: Use as shown.

